

## Testing:

Once connected to the 240V UPS backup mains supply, ensure the UPS unit has been allowed to charge. Conduct the following tests:

- For the first test, the lamp must remain illuminated for at least 2 hours after disconnection from the mains supply with the UPS running from the battery.
- Subsequent tests require the unit to illuminate for at least 90 minutes. The results of all tests are required to be recorded in a service logbook, which is to be kept on-site at all times. If the unit fails to remain illuminated for the requisite time, remedial action must be taken to repair the situation and once completed, the unit must pass a subsequent test. For more specific information, please refer to the current edition of the AS 2293.3 Standard.

## Maintenance:

### Lamp Replacement:

- Use only the lamp(s) recommended on the label inside the Weatherproof Exit.
- To replace the lamp bar, remove the screws, disconnect the signal cable and install the new lamp bar.

## Trouble Shooting:

Below are a list of common problems and their possible causes.

**Fault: The Status LED indicator and main lamp is not illuminated.**

Check: A.C. is connected and is turned on.  
Test Switch for damage.

**Fault: Lamp does not illuminate in emergency mode.**

Check: A.C. is connected.  
Lamp is correctly inserted.  
UPS battery condition

## Rated Emergency Lumen Output in accordance with AS2293.1 (refer to spacing tables for installation positions):

Refer to the Technical Label for classification information.

## Warranty:

For Product Warranty information and Terms and Conditions of Sales please refer to our website <http://clevertronics.com.au/terms-conditions-sale-australia-nz/>



# L10™ Wall Mount Weatherproof LED Exit - UPS Installation & Maintenance Instruction Leaflet

Victoria (Head Office & Manufacturing)

Website: [www.clevertronics.com.au](http://www.clevertronics.com.au)

Email: [info@clevertronics.com.au](mailto:info@clevertronics.com.au)

Phone: +61 3 9559 2700

News South Wales

Phone: +61 2 8805 6400

Queensland

Phone: +61 7 3442 9700

South Australia/Northern Territory

Phone: +61 8 8301 8800

Western Australia

Phone: +61 8 9248 3720

New Zealand

Phone: +64 800 548 448



## Models: LWEELED-ww-xx-WM-uu-yy-zz-ss-UPS

### Testing:

DALI xx = DALI

DALI-2 xx = D2

### Options:

Running Man yy = R Theatre ww = TH

Running Man Left yy = RL Tamperproof uu = TP

Running Man Right yy = RR Black zz = BLK

Special Decal ss = SP Special Decal

## Spare Parts:

8002120

PCA: DLED Cleverfit LightStrip, CT10152-D4

AUM01570050001

LWEELED-CKIT-50-UPS, WP LED Exit, Control Kit, OWC, 50mA, UPS

## Important:

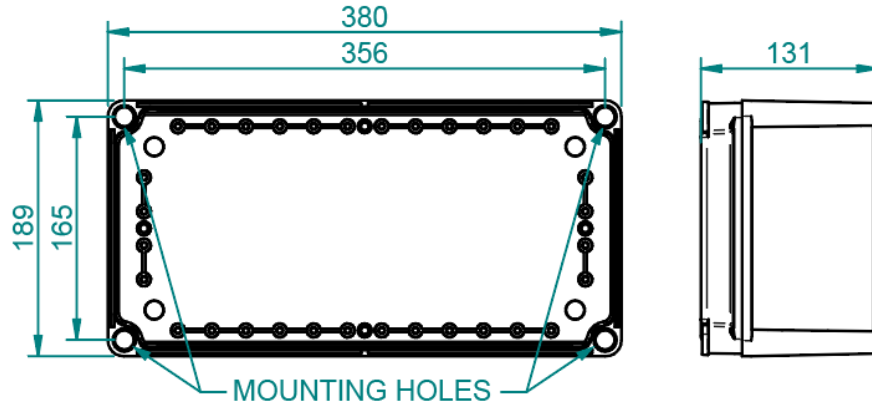
It is illegal for anyone, except for a licensed electrician to install or maintain this product. Before installation, ensure that the electricity supply has been switched off and isolated. Installation must be carried out in accordance with the relevant Australian and International Standards.

## Installation:

The below steps should be followed to properly install the product;

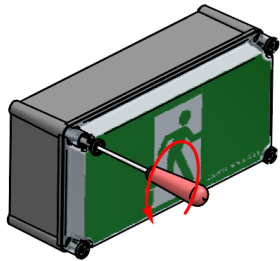
- Remove Cover Screws to remove the Enclosure Cover, Diffuser & Decal followed by the Gear Tray
- Determine power entry & drill power access hole in the box base. (Drilled points must be sealed appropriately to ensure proper protection from water ingress)
- Mark the 4 holes for mounting & install the base using appropriate fixings (fixings not supplied).
- Terminate the Mains Cables into terminal block. Ensure Earth, E, Active, A & Neutral, N wires are connected as per Terminal Block Label.
- Reinstall the Gear Tray, Enclosure Cover, Diffuser & Decal

## Dimensions:

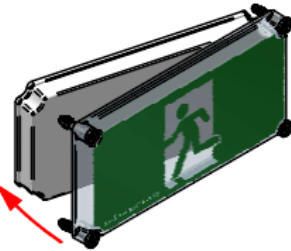


## Decal Replacement:

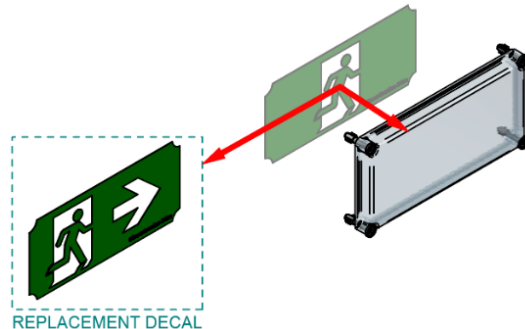
**Step 1** - Remove Enclosure Cover Screws



**Step 2** - Remove the Diffuser from the Cover



**Step 3** - Remove/Replace the required Decal



NOTE: Once Decals have been replaced, repeat 'Decal Replacement' steps in the reverse re-install the Cover, Diffuser & Decal

## DALI EM Option

Fittings with part numbers containing -DALI are fitted with DALI modules (nodes) that facilitate connection and integration to 3<sup>rd</sup> Party Lighting Control Systems. The -DALI fitting will be addressed and configured into the control system by the Lighting Control System Commissioning Technicians and not Clevertronics.

State	LED Operation
Commissioned/ Un-commissioned	LED on Solid (Green)
"IDENTIFY COMMAND"	Fitting goes off for 10 seconds

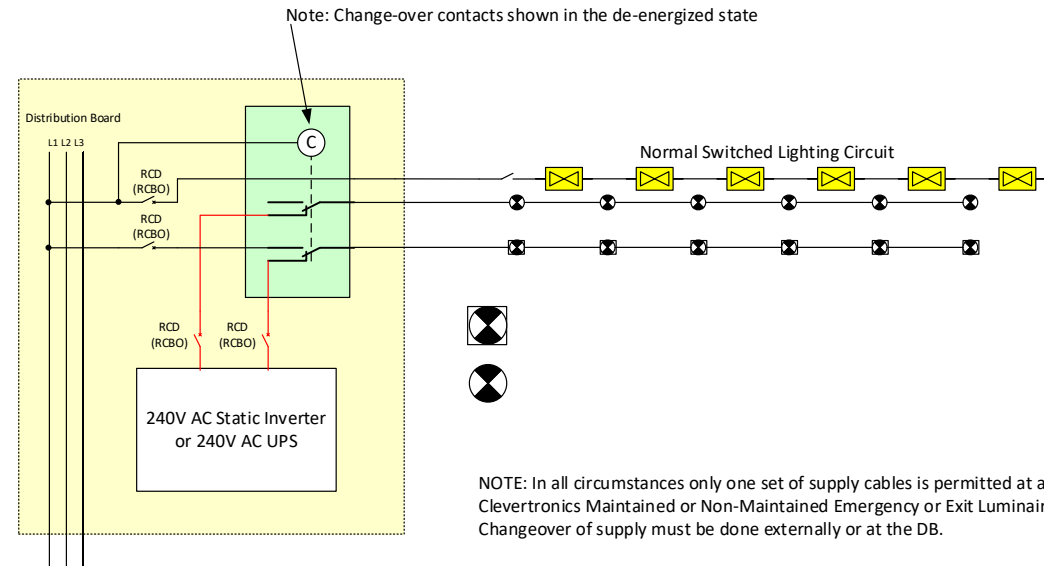
A 2-way "figure 8" cable and terminal block facilitates the connection to the DALI network. DALI connections are marked as Da Da.

To confirm operation of the fitting the Lighting Control System can only use the status query type command. To "test" the sign this status query will need to be synchronised with the formal test of the UPS from its battery source. The sign will report a fault if the LED lamp bar is not illuminated.

**DO NOT run a Start Function Test or Start Duration Test command.** If either of these is run, the fitting will go into test mode and the fitting will switch off as it will be internally disconnected from main power and there is no battery so the LED lamp bar won't run – the unit will report a failed test. This condition cannot be rectified, and the fitting will report this forever as it can never pass a test of this type.

## UPS Wiring and Connecting arrangements

### 240V AC, Static Inverter and UPS Applications



NOTE: In all circumstances only one set of supply cables is permitted at a Clevertronics Maintained or Non-Maintained Emergency or Exit Luminaire. Changeover of supply must be done externally or at the DB.

Note: Not suitable for connection a Zoneworks or Clever-test system.

Note: 110V DC is not supported